



INSTALLATION, ADJUSTEMENT AND MAINTENANCE INSTRUCTIONS

- SELF CLOSING ADJUSTABLE HINGE 1"
- SELF CLOSING ADJUSTABLE HINGE 2"
- ROUND POST SELF CLOSING ADJ. HINGE 2"

1

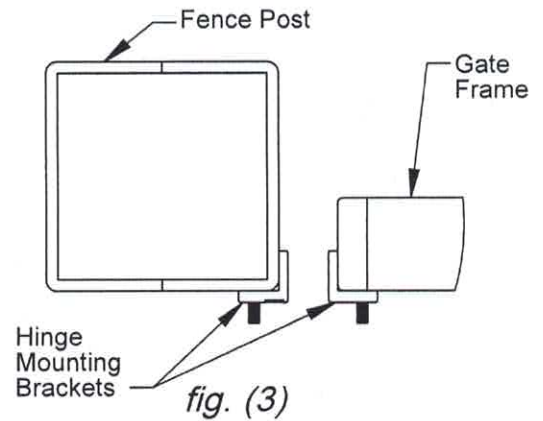
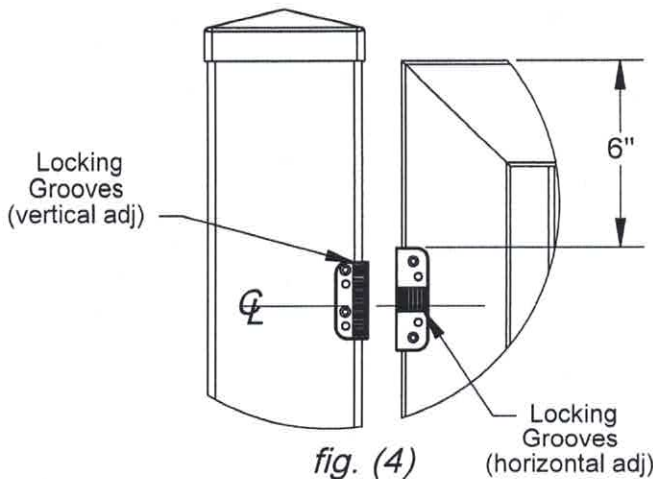
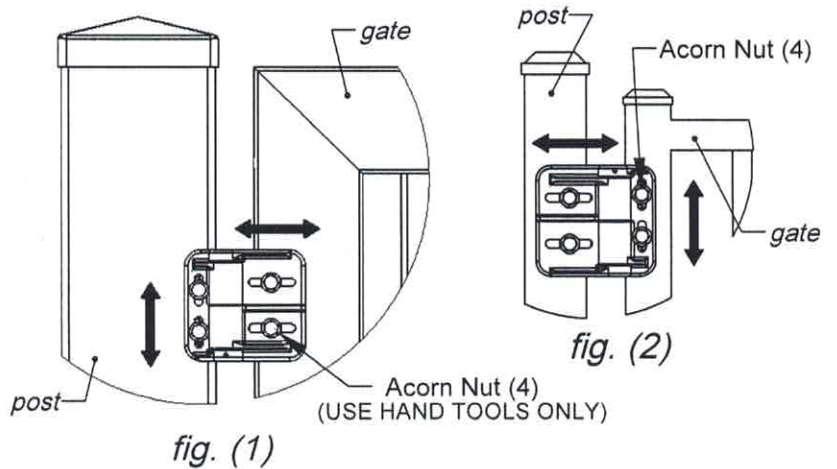
CORNERSTONE[®] CH095F SELF CLOSING ADJUSTABLE HINGE

INSTALLATION, ADJUSTMENT AND MAINTENANCE INSTRUCTIONS

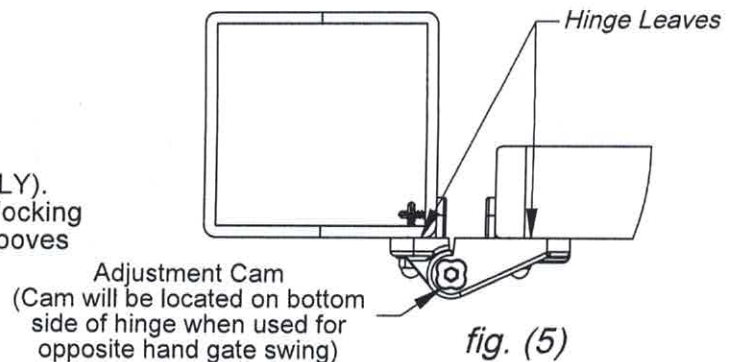
HINGE MOUNTING

- ① First choose the desired direction of mounting. Applications using larger post and gate frames should mount the hinge so that the vertical adjustment is on the fence post and the horizontal adjustment is on the gate frame, see figure (1). Applications with smaller gate frames (1.5" - 2") should mount the hinge so that the vertical adjustment is on the gate frame and the horizontal adjustment is on the post. See Figures (1) and (2).

- ② The brackets should be positioned on the outside surfaces of the posts with the gate in the closed position. See figure (3) The top edge of the upper hinge should be mounted within 6" of the top surface of the top rail, and the bottom edge of the lower hinge should be mounted within 6" of the lower surface of the lower rail. See figure (4) In applications where additional hinges are used, they should be evenly spaced between the upper and lower hinges. The mounting brackets with horizontal locking grooves are for the vertically adjustable side of the hinge, while the brackets with the vertical locking grooves are for the horizontally adjustable side of the hinge.



- ③ Install self closing hinge assembly to mounting flanges (installed in step 2) and secure with washers and acorn nuts (USE HAND TOOLS ONLY). Hinge should be positioned as shown so that the locking grooves on the mounting flanges will align with grooves on the back side of the hinge assembly. See figure (5)



CORNERSTONE[®] CH095F

SELF CLOSING ADJUSTABLE HINGE

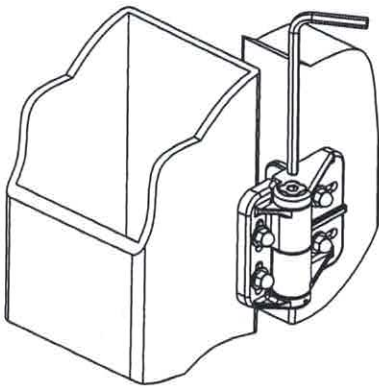
INSTALLATION, ADJUSTMENT AND MAINTENANCE INSTRUCTIONS

SPRING TENSION ADJUSTMENT AND MAINTENANCE

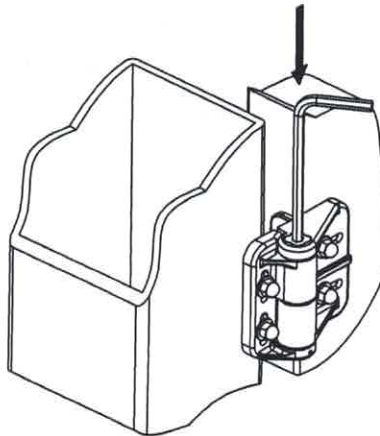
WARNING!!!

Spring tension should never be increased more than 2 full turns (8 quarter turns) from the neutral position

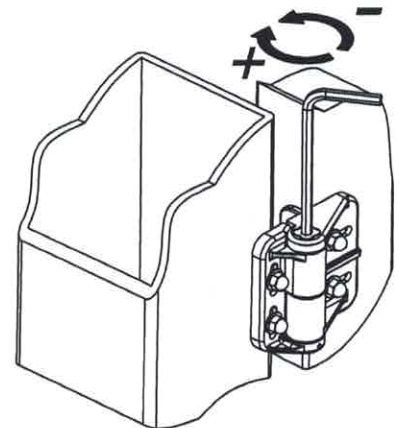
Insert allen wrench into the cam at the end of the hinge barrel.



Press the wrench downward, pushing the cam into the barrel.



Rotate the cam clockwise to increase spring tension and counter-clockwise to reduce spring tension. Adjust one hinge at a time in 1/4 turn increments.



NOTE:

The hinge should be inspected annually, or more frequently if the gate is used often. Spring tension adjustments should be made as needed. The hinge should be regularly lubricated in the area of the cams and barrel.

2

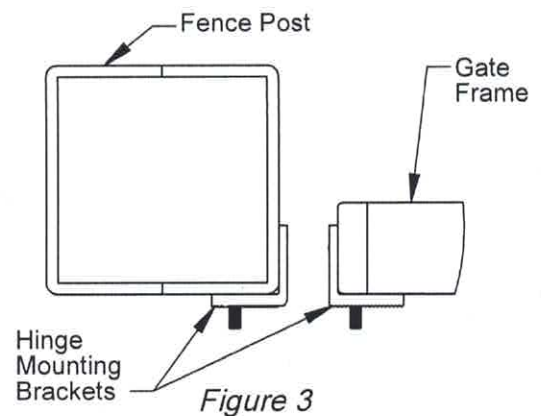
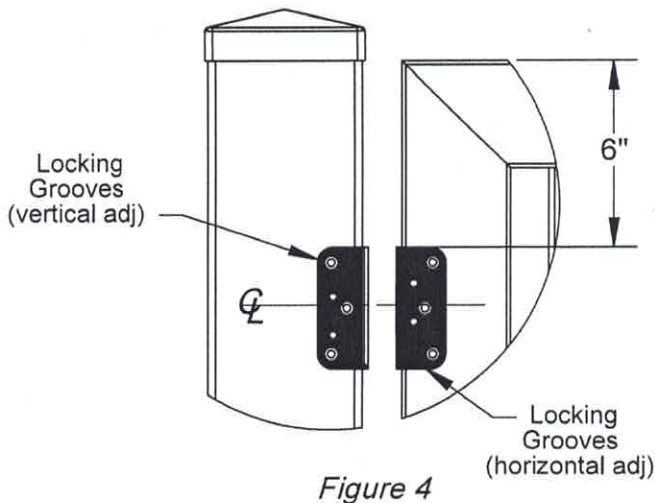
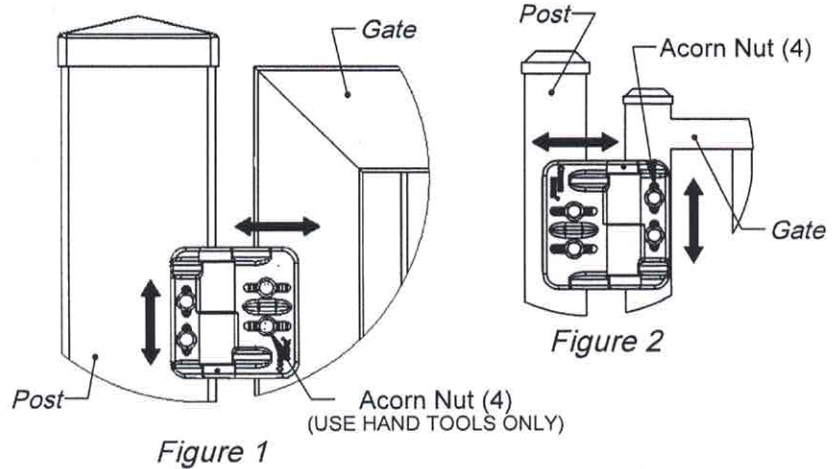
CORNERSTONE[®] CH200F SELF-CLOSING ADJUSTABLE HINGE

INSTALLATION, ADJUSTMENT AND MAINTENANCE INSTRUCTIONS

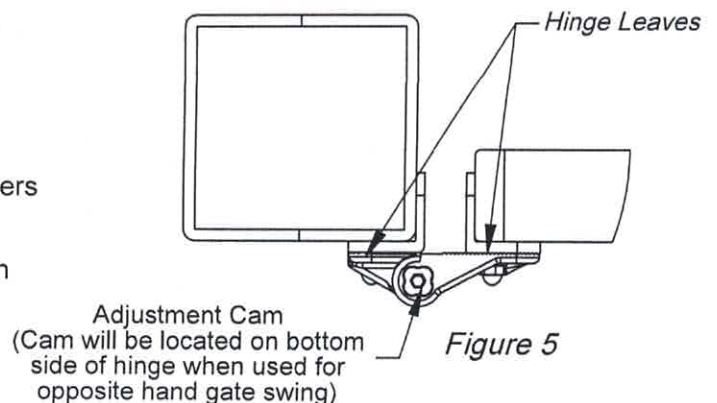
HINGE MOUNTING

- 1 First, choose the desired direction of mounting. Applications using larger post and gate frames should mount the hinge so that the vertical adjustment is on the fence post and the horizontal adjustment is on the gate frame (Figure 1). Applications with smaller gate frames (1.5"-2") should mount the hinge so that the vertical adjustment is on the gate frame and the horizontal adjustment is on the post (Figure 1, 2).

- 2 The brackets should be positioned on the outside surfaces of the posts with the gate in the closed position (Figure 3). The top edge of the upper hinge should be mounted within 6" of the top surface of the top rail, and the bottom edge of the lower hinge should be mounted within 6" of the lower surface of the lower rail (Figure 4). In applications where additional hinges are used, they should be evenly spaced between the upper and lower hinges. The mounting brackets with horizontal locking grooves are for the vertically adjustable side of the hinge, while the brackets with the vertical locking grooves are for the horizontally adjustable side of the hinge.



- 3 Install self-closing hinge assembly to mounting flanges installed in Step 2, and secure with washers and acorn nuts (USING HAND TOOLS ONLY). Hinge should be positioned as shown so that the locking grooves on the mounting flanges will align with grooves on the back side of the hinge assembly (Figure 5).



CORNERSTONE[®] CH200F

SELF-CLOSING ADJUSTABLE HINGE

INSTALLATION, ADJUSTMENT AND MAINTENANCE INSTRUCTIONS

SPRING TENSION ADJUSTMENT AND MAINTENANCE

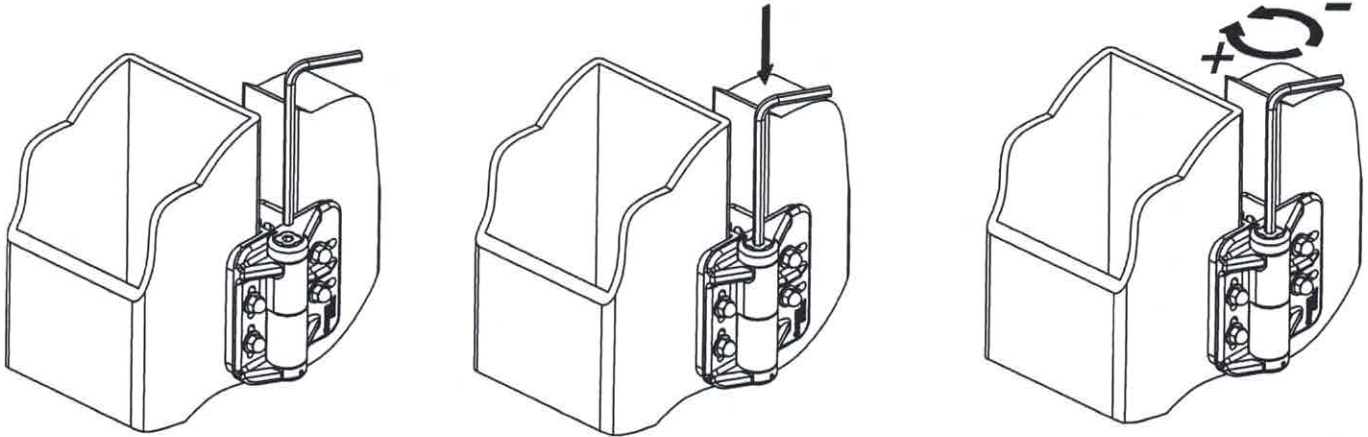
WARNING!!!

Spring tension should never be increased more than 2 full turns (8 quarter-turns) from the neutral position.

Insert allen wrench into the cam at the end of the hinge barrel.

Press the wrench downward, pushing the cam into the barrel.

Rotate the cam clockwise to increase spring tension and counter-clockwise to reduce spring tension. Adjust one hinge at a time in 1/4-turn increments.



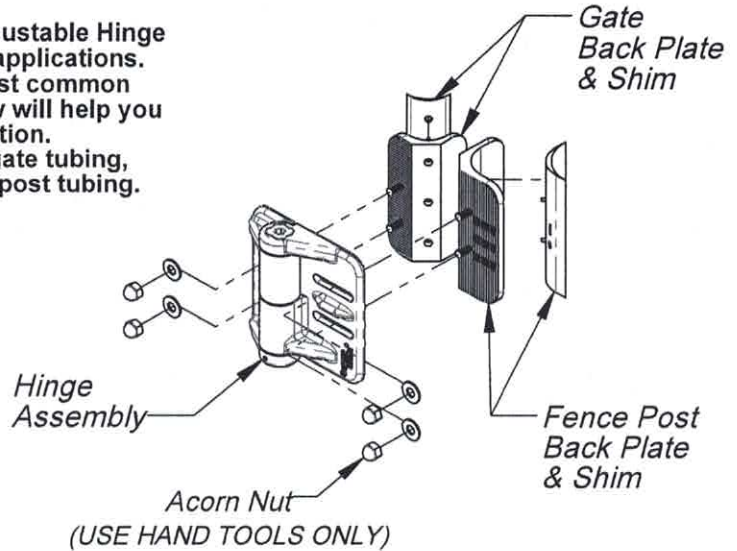
NOTE:

The hinge should be inspected annually, or more frequently if the gate is used often. Spring tension adjustments should be made as needed. The hinge should be regularly lubricated by spraying an oil based lubricant into the area of the cams and barrel.

PLEASE CAREFULLY READ ALL OF THE INSTRUCTIONS PRIOR TO INSTALLATION

The CornerStone® Round Post Self-Closing Adjustable Hinge is designed to fit both right-hand and left-hand applications. A set of shims have been provided to fit the most common used fence post and gate sizes. The chart below will help you to choose the appropriate shim for your application. However, Gate Back Plate alone will fit ϕ 1-3/8 gate tubing, and Fence Post Back Plate alone will fit ϕ 1-7/8 post tubing.

Shim Size Chart	
Gate sizes	Post Fence Sizes
ϕ 1-5/8	ϕ 2-3/8
	ϕ 2-5/8
	ϕ 2-7/8



STEP-1

Before installing hinge assembly, make sure fence post is vertical and firmly anchored and gate is properly blocked with desired gap to fence post in closed position. Attach both back plates to hinge, with appropriate shims if applicable, with hardware provided and desired gap. Make sure spring tension is in neutral position (see sht. 2). Mark the center of both back plates and shims, if applicable, as guide lines for positioning, as shown in fig. 2. Locate hinge assembly at desired height embracing both fence post and gate to full contact with back plates and shims at once, then using the guide line marks of hinge, mark the gate and post fence horizontally and vertically as shown in fig. 1. Make sure hinge assembly is not closed to its maximum position, a 1/10" gap between hinge leaves must be noticed with spring tension in neutral position, as shown in fig. 2

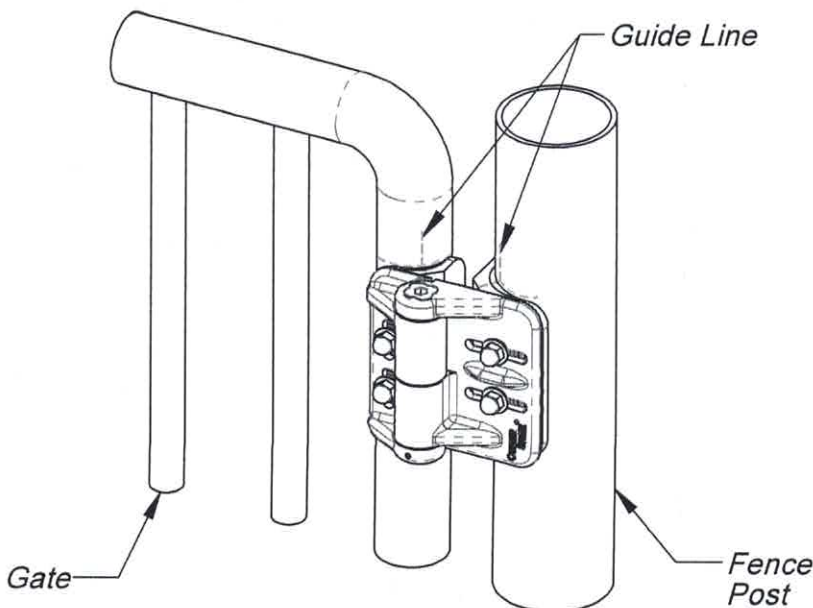


Fig. 1

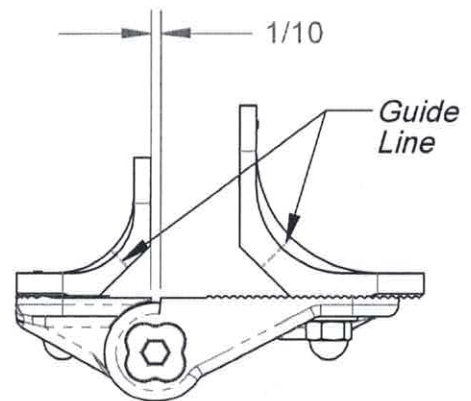


Fig. 2

CH200FR

ROUND POST SELF-CLOSING ADJ. HINGE

INSTALLATION, ADJUSTMENT AND MAINTENANCE INSTRUCTIONS

STEP-2

With guide lines marked in gate, fence post and back plates, proceed to detach both back plates from hinge. Using each back plate as a template, reposition it at the marked locations, mark and drill all center points of back plates, as seen on fig. 3. For easy installation we suggest to drill pilot holes; however, #10 flanged hex head self-drilling screws have been provided to fasten back plates to gate and fence post if you choose not to drill pilot holes.

STEP-3

With back plates fastened in place, reinstall hinge assembly to both back plates with supplied hardware, do not over torque Acorn nuts (USE HAND TOOLS ONLY). The CornerStone® Round Post Self-Closing Adjustable Hinge is designed to be horizontal (1-1/4") and vertical (3/4") adjustable. Align locking grooves of back plates with hinge assembly to achieve desired adjustment. Open and close gate to ensure proper installation and operation.

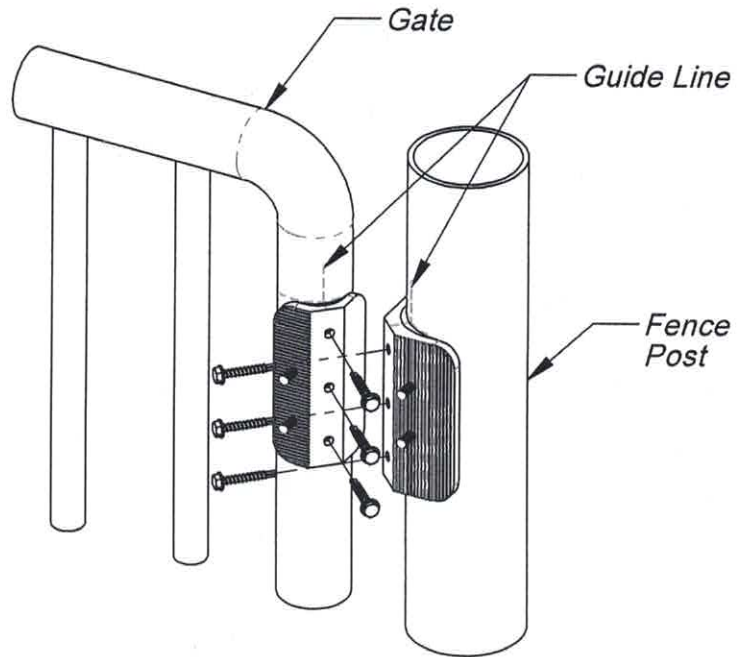


Fig. 3

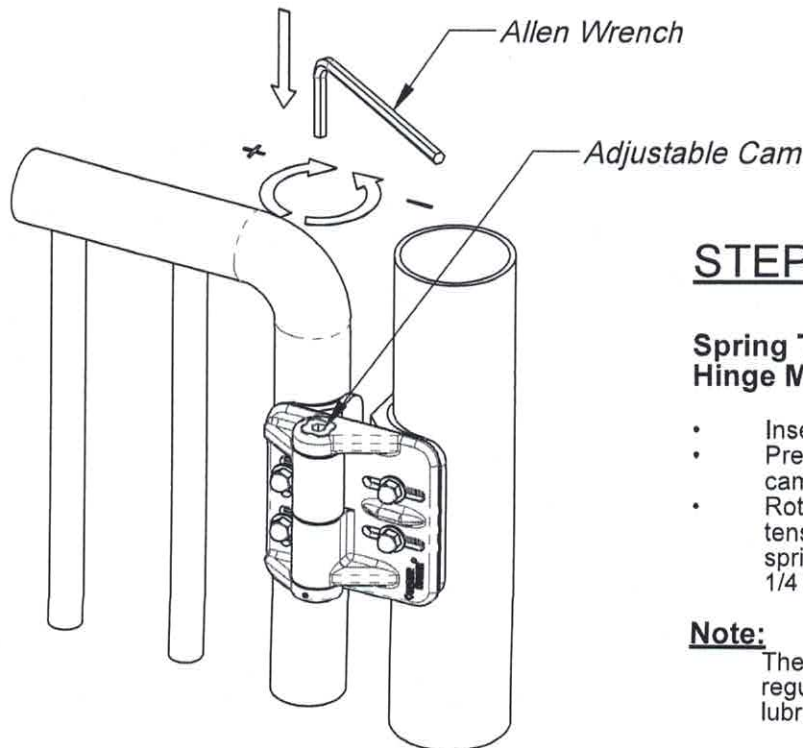


Fig. 4

STEP-4

Spring Tension Adjustment and Hinge Maintenance.

- Insert allen wrench into the adjustable cam.
- Press the wrench downward, pushing the cam into the barrel.
- Rotate the cam clockwise to increase spring tension and counter-clockwise to reduce spring tension. Adjust one hinge at a time in 1/4 turn increments.

Note:

The hinge should be inspected annually and regularly lubricated by spraying an oil based lubricant into the barrel.